

1.50mm (0.059") PITCH CONNECTOR

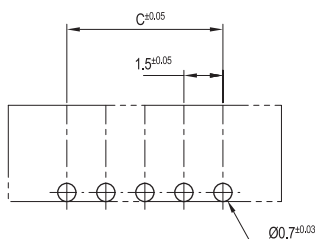
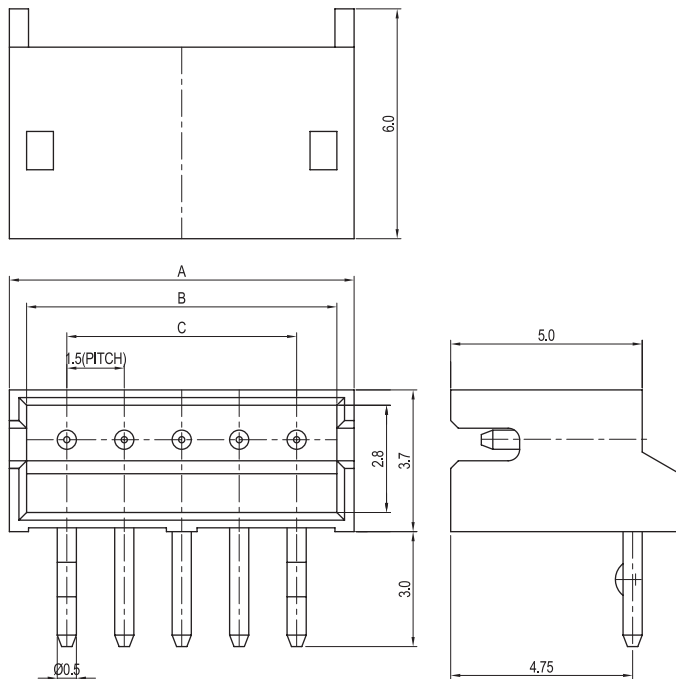
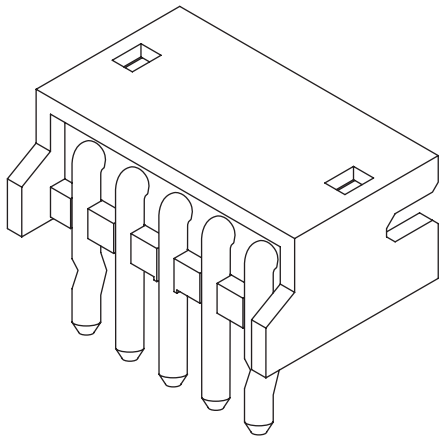


Wire-to-Board
Wafer

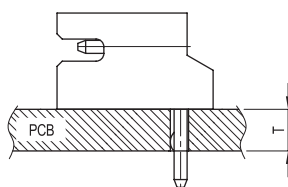
15005WR Series

DIP

Right Angle



P. C. B LAYOUT



P. C. B ASS'Y

Material

I/NO	DESCRIPTION	TITLE	MATERIAL
1	Wafer	15005WR	PA66, UL 94V Grade
2	Pin		Brass & Tin Plated

Available Pin

PARTS NO.	A	B	C
15005WR-02A00	4.5	3.6	1.5
15005WR-03A00	6.0	5.1	3.0
15005WR-04A00	7.5	6.6	4.5
15005WR-05A00	9.0	8.1	6.0
15005WR-06A00	10.5	9.6	7.5
15005WR-07A00	12.0	11.1	9.0
15005WR-08A00	13.5	12.6	10.5
15005WR-09A00	15.0	14.1	12.0
15005WR-10A00	16.5	15.6	13.5
15005WR-11A00	18.0	17.1	15.0
15005WR-12A00	19.5	18.6	16.5
15005WR-13A00	21.0	20.1	18.0

Specification

ITEM	SPEC
Voltage Rating	AC/DC 50V
Current Rating	AC/DC 1A
Operating Temperature	-25°C ~ +85°C
Contact Resistance	30mΩ MAX
Withstanding Voltage	AC500V/1min
Insulation Resistance	500MΩ MIN
Applicable Wire	-
Applicable P.C.B	1.2~1.6mm
Applicable FPC/FFC	-
Solder Height	-
Crimp Tensile Strength	-
UL FILE NO	-

Application Housing : 15001HS (62 page)